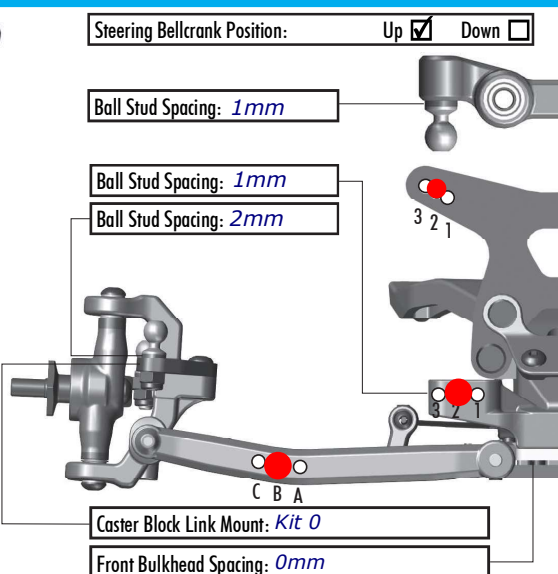
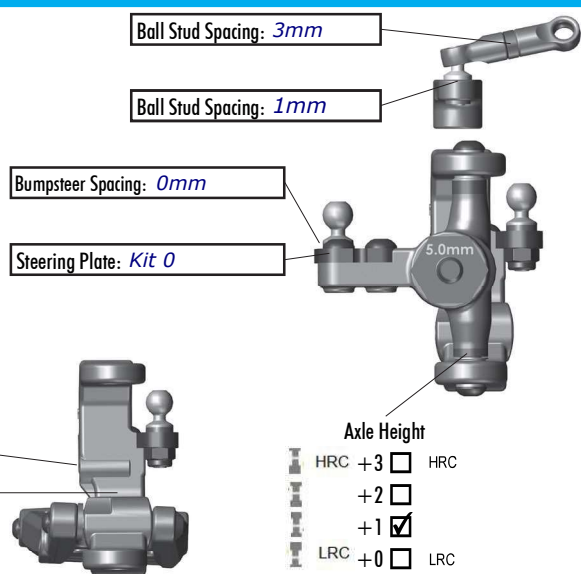


### Front Suspension

Ride Height: <u>16mm</u>
Camber: <u>-2.0°</u>
Toe: <u>0.5° out</u>
Anti-Roll Bar: <u>None</u>
Arm Type: <u>Kit Gullwing Arms</u>
Tower Type: <u>Kit Gullwing Tower (AS92430)</u>
Wheel Hex: <u>5mm</u>
Steering Block KPI: <u>Kit -4 trail, KPI 2</u>
Caster Block Insert: <u>+5</u>
Bulkhead Type: <u>FT 0° kit alu Bulkhead (AS91987)</u>
Kick-Up Angle: <u>-2.5</u> <input type="checkbox"/> <u>0</u> <input checked="" type="checkbox"/> <u>2.5</u> <input type="checkbox"/>
Steering Stop Spacing: <u>N/A</u>
Caster Block Spacing: <u>Fwd</u> <input checked="" type="checkbox"/> <u>Back</u> <input type="checkbox"/>
Notes:

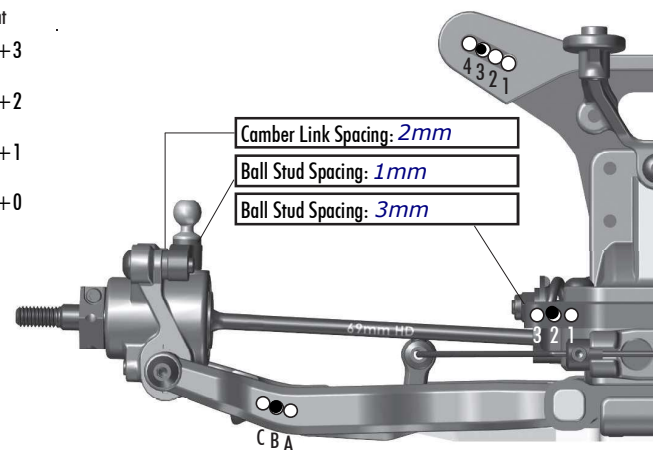
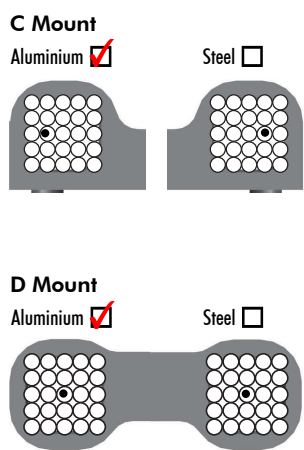


Axle Height

HRC +3  HRC  
 +2   
 +1   
 LRC +0  LRC

### Rear Suspension

Ride Height: <u>17mm</u>
Camber: <u>-2.0°</u>
Anti-Roll Bar: <u>None</u>
Arm Type: <u>Kit Rear Arms</u>
Tower Type: <u>Kit Rear Tower (AS92431)</u>
Arm Spacing: <u>Fwd</u> <input type="checkbox"/> <u>Mid</u> <input type="checkbox"/> <u>Back</u> <input checked="" type="checkbox"/>
Wheel Hex: <u>6mm</u>
Hub Type: <u>Std</u> <input checked="" type="checkbox"/> <u>HRC</u> <input type="checkbox"/>
Hub Spacing: <u>Fwd</u> <input checked="" type="checkbox"/> <u>Mid</u> <input type="checkbox"/> <u>Back</u> <input type="checkbox"/>
Drive Shaft: <u>CVA's</u> <input checked="" type="checkbox"/> <u>Universal</u> <input type="checkbox"/>
Notes: Centro 0-4Deg C Block (C0255) FT Carbon Rear Hubs (AS92413)



### Electronics

Radio: <u>M17</u>	Servo: <u>Reedy</u>
EPA (%) - Throttle: <u>100%</u>	Brake: <u>90%</u>
ESC: <u>HW XR10 Pro G2S</u>	
ESC Settings: <u>5 Boost, 30 +Turbo, Th Rate 20, Turbo Inc 20</u>	
Motor / Wind: <u>Reedy Mach4 6.5t</u>	Timing: <u>Std</u>
Pinion: <u>23t</u>	Spur: <u>78t</u>
Battery Mount: <u>Std</u> <input checked="" type="checkbox"/> <u>Offset</u> <input type="checkbox"/>	
Back 1 <input type="checkbox"/> 2 <input type="checkbox"/> 3 <input type="checkbox"/> 4 <input checked="" type="checkbox"/> 5 <input type="checkbox"/> Fwd	
Battery: <u>Reedy 4800</u>	Weight: <u>34g under lipo</u>
Notes: <u>FT Alu Servo Horn (AS1366)</u>	

### Drivetrain

Differential: <u>Ball</u> <input checked="" type="checkbox"/> <u>Gear</u> <input type="checkbox"/>
Height: <u>2</u>
Setting: <u>Front just lifting</u>
Notes:
<b>Slipper Clutch</b>
Type: <u>Kit</u>
# of Pads: <u>2x FT LCF SLIPPER PAD 19mm (AS92286)</u>
Setting: <u>Just lifts front</u>
Notes:

### Shocks

	Front	Rear
Piston:	<u>3*1.7 13mm</u>	<u>3*1.8 13mm</u>
Thickness:	<u>2.0mm</u>	<u>2.0mm</u>
Fluid:	<u>35w</u>	<u>32.5w</u>
Spring:	<u>12mm Yellow</u>	<u>12mm Grey</u>
Limiters:	In: <u>0</u> Out: <u>0</u>	In: <u>0</u> Out: <u>0</u>
Stroke:	<u>23mm</u>	<u>28mm</u>
Eyelet:	<u>0</u>	<u>+2</u>
Cup Offset:	<u>0</u> <input type="checkbox"/> <u>+5</u> <input checked="" type="checkbox"/> <u>+9</u> <input type="checkbox"/>	<u>0</u> <input checked="" type="checkbox"/> <u>+5</u> <input type="checkbox"/> <u>+9</u> <input type="checkbox"/>
Kashima Bodies <input checked="" type="checkbox"/>	Chrome Shafts <input checked="" type="checkbox"/>	Machined Spacers <input checked="" type="checkbox"/>
Notes: <u>12mm Spring cups (AS91814), Chrome shafts (AS91618, AS91620), Machined internals(AS91494).</u>		

### Track Information

Size: <u>Large</u>
Composition: <u>Glasgow long pile astro</u>
Traction: <u>Very High</u>
Moisture: <u>Dry</u>
Surface: <u>Bumpy</u> <input checked="" type="checkbox"/> <u>Smooth</u> <input type="checkbox"/>
Temperature: <u>20deg</u>
Notes: <u>Various Jumps etc</u>

### Tires

Front Tires: <u>Sch Splinter</u>
Front Compound: <u>Yellow</u>
Front Insert: <u>None</u>
Rear Tires: <u>Sch Mezzo</u>
Rear Compound: <u>Yellow</u>
Rear Insert: <u>Cragg</u>
Wheel (F/R): <u>Centro C0260W / Centro C0262W</u>
<u>Fronts sidewalls glued</u>

### Body, Weight

Body: <u>Kit</u>
Front Wing: <u>Kit</u>
Rear Wing: <u>Kit</u>
Wing Angle: <u>0°</u> <input type="checkbox"/> <u>3°</u> <input checked="" type="checkbox"/> <u>6°</u> <input type="checkbox"/>
Chassis Length: <u>Kit</u>
Servo Weights:
Electronics Weights: <u>Alu 11g</u>
Total Vehicle Weight:

### Vehicle Comments

Notes:  
Carbon Wing Buttons (AS91916, AS91917). C0259 CENTRO RC10B7 WING.  
Awesome! Lots of people commented on how good the car looked.